



# GBT™ – Gravity Belt Thickener

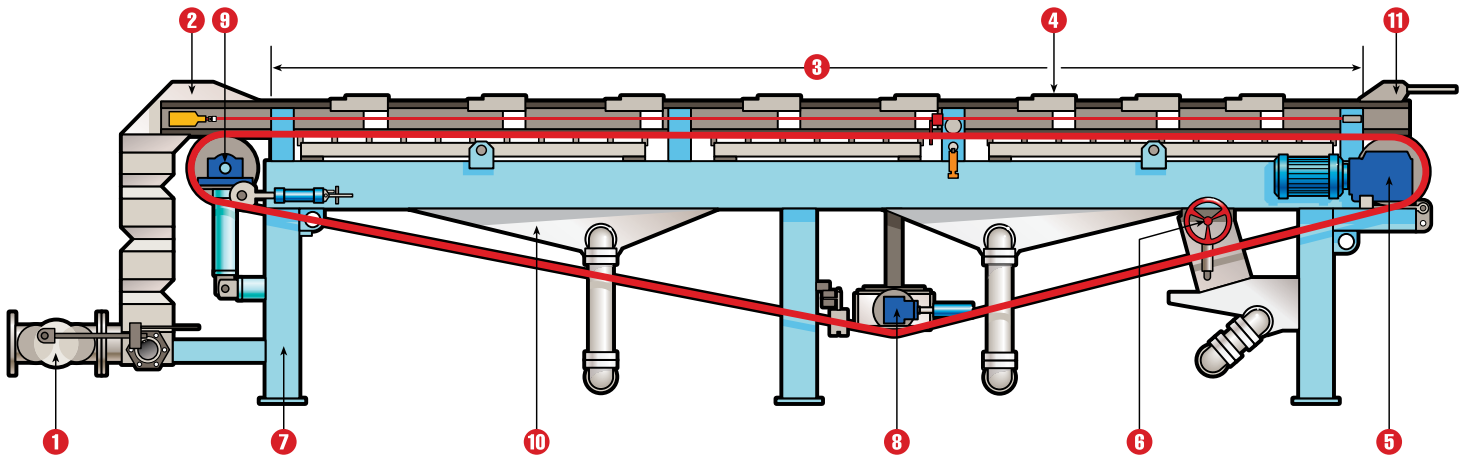


The Most Cost Effective and Efficient Machine for Thickening just got Even Better

# Gravity Belt Thickener

## Superior Thickening

- Fastest Drainage Rate
- Minimal Power Usage
- Lowest Maintenance Cost
- Largest Filtration Area per Footprint
- Minimal Polymer Dosage
- Now Available Totally Enclosed and Self-Cleaning

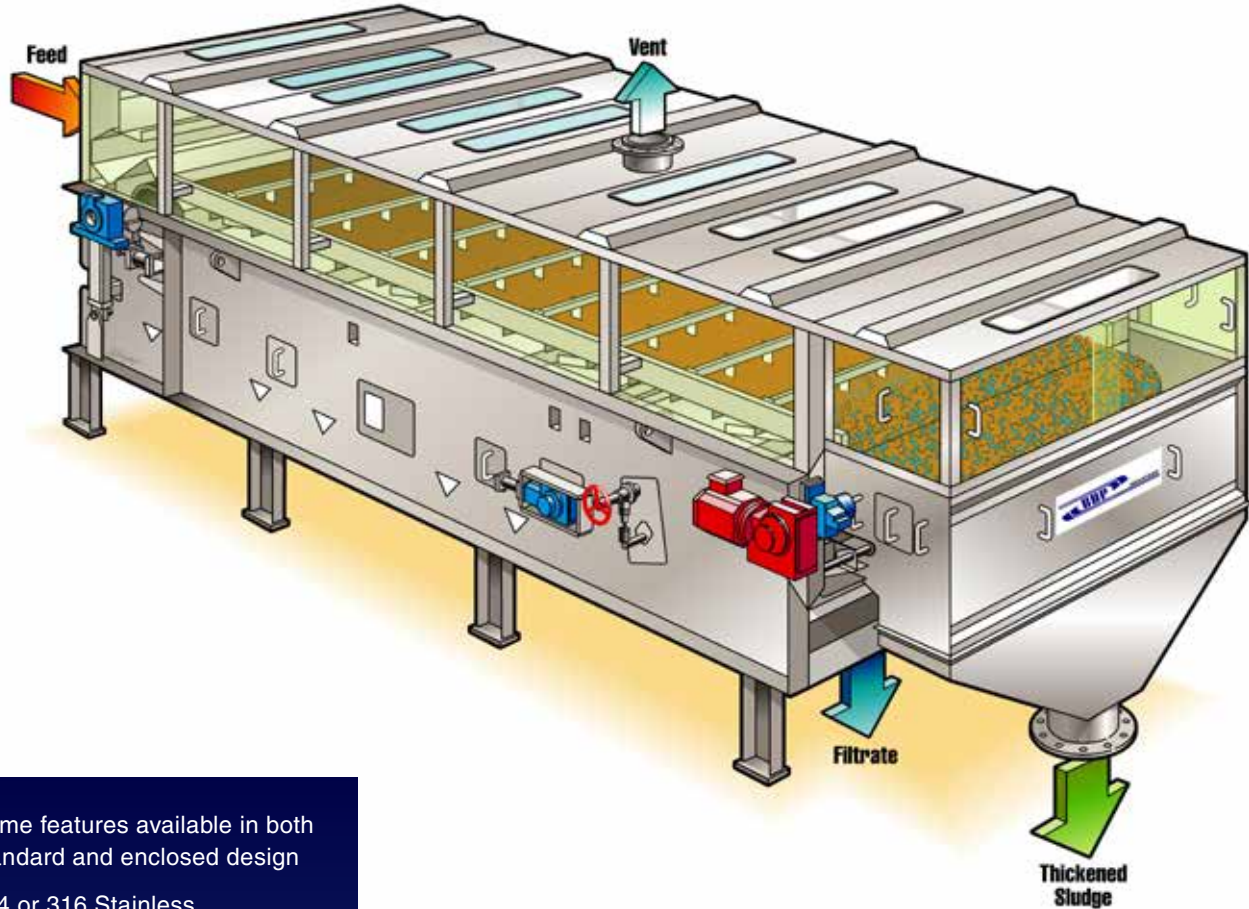


## Design Features

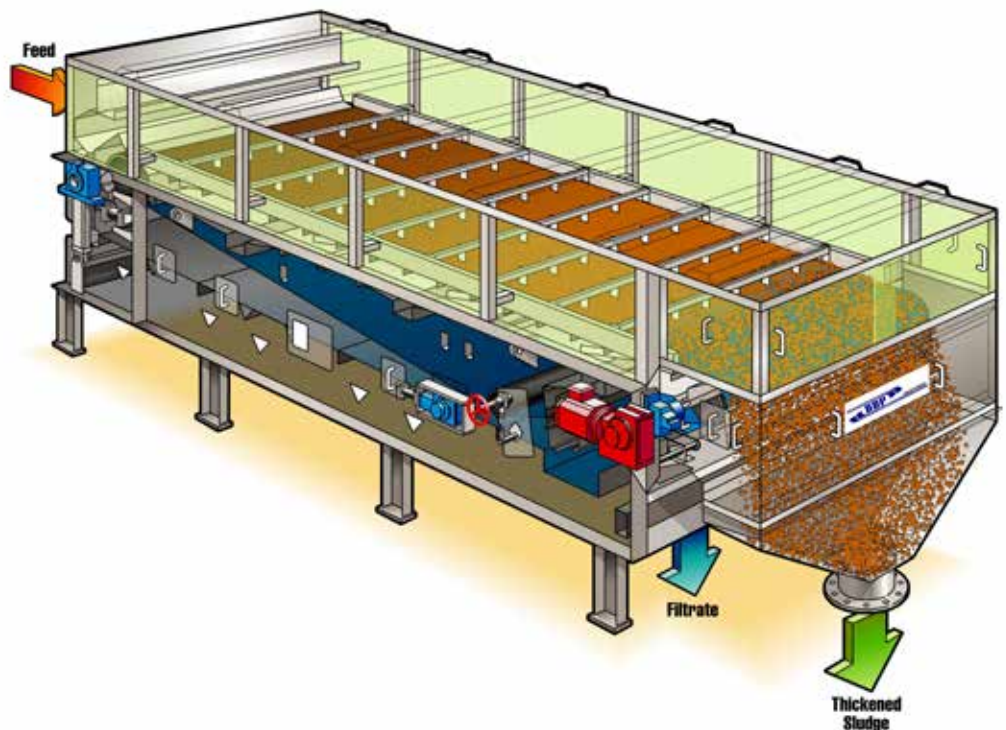
- 1 Venturi Mixer:** Polymer is injected through four tangential inlets in the injection ring upstream of the stainless steel venturi and counterweighted orifice plate.
- 2 Feedbox:** Upflow design constructed of 304 or 316 stainless steel. Full width weir for smooth transition to the belt, utilizing the complete area of the gravity deck.
- 3 Gravity Deck:** UHMW plastic slide strips support the belt and can be easily removed with no disassembly. Apex curvature along centerline of belt eliminates belt wrinkling.
- 4 Excelsior Plows:** Optimize furrowing action to increase drainage. Floating design insures consistent belt contact and prolongs belt life.
- 5 Belt Drive:** Shaft mounted right angle gearbox with electric motor. Speed control by VFD at the control panel capable of varying output speed from 15 to 100 feet per minute.
- 6 Belt Washing:** Spray bar is mounted inside stainless steel enclosure designed to wash both sides of the belt and eliminate misting. Spray nozzles are internally cleaned and flushed by hand wheel operated wire brush and valve assembly.
- 7 Tubular Steel Frame:** Available as hot dipped galvanized, 304, 316 or duplex stainless steel. Machined bearing pads for precision frame and roller alignment. Tubular steel design for added frame rigidity, easy clean up and reduced O&M activity.
- 8 Belt Tracking:** Available as hydraulic or pneumatic system. Trouble free and unattended operation with continuously centered design.
- 9 Belt Tensioning:** Automatically maintains proper tension with unattended operation. hydraulic or pneumatic controls frame mounted for ease of operation.
- 10 Collection Pans:** Heavy gauge stainless steel construction. Separate pans for shower water and filtrate to prevent filtrate flow from passing through the belt near tracking and tensioning assemblies.
- 11 Thickening Sludge Dam:** Adjustable height sludge dam provides additional flexibility to optimize sludge thickening. Available in 304, 316 or duplex stainless steel.

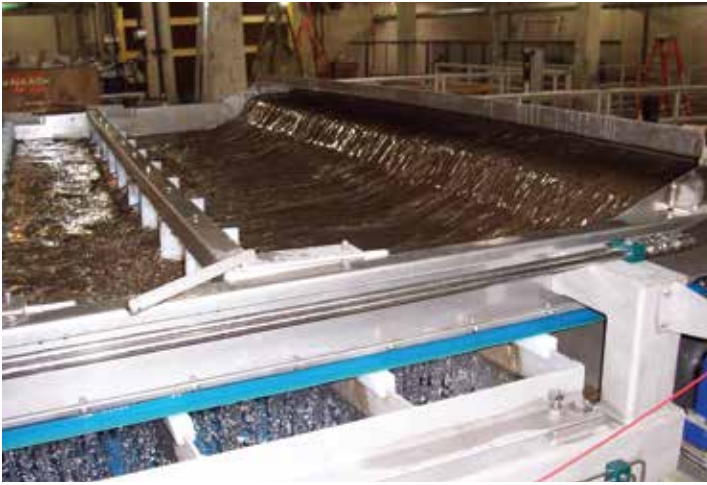
# Totally Enclosed Gravity Belt Thickener

All of the proven features and benefits of the GBT available in a Totally Enclosed and Self-Cleaning Design



- Same features available in both standard and enclosed design
- 304 or 316 Stainless Steel Plate Frame
- Access panels for routine O&M activity
- Self-cleaning
- Available with automatic plow lifts
- Available in widths of 0.5 to 4.0 meters and lengths of 8 to 16 feet
- Automatic or manual tensioning and tracking
- Slide deck support
- Connections provided for odor control systems
- Clear Lexan sliding side panels for easy viewing of thickening operation. Panels are removable without tools.





**BDP Contacts:**

**Sales:** 518-796-1440

**Factory:** 518-695-6851

**Email:** [info@bdpindustries.com](mailto:info@bdpindustries.com)

P.O. Box 118, 354 State Route 29  
Greenwich, NY 12834

© 2020 BDP Industries, Inc. This document is a general product presentation and is not a guarantee of any kind. All the information contained herein is subject to change without notice. Directions for use and safety will be given separately.



[www.bdpindustries.com](http://www.bdpindustries.com)