



# Model 3DP™ Belt Filter Press



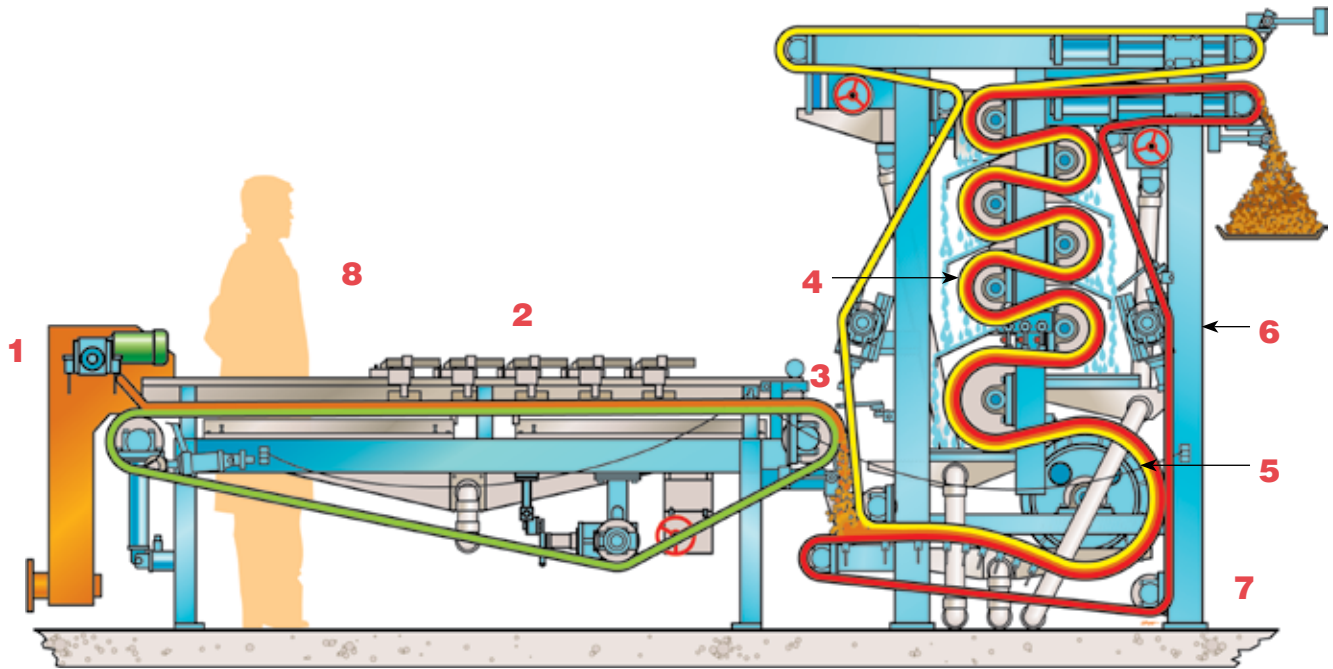
The Belt Press that raised the bar is now setting the new standard for the Next Generation Belt Press

# Model 3DP Belt Filter Press

## Higher Cake Solids and Feed Rate

— with LOWER Maintenance Costs.

**The 3DP Belt Press** is designed with unique features to provide higher discharge cake solids at higher flow rates. The 3DP has a 25-year track record of low operation and maintenance costs while providing exceptional performance. Through continual improvement and addition of the latest features and automation, the 3DP is the most innovative belt press on the market. The 3DP is a rugged, durable machine that will provide years of reliable service.



## Design Features

- 1 Feed Distributor:** Unique, variable speed paddle wheel provides full belt-width distribution and uniform thickness.
- 2 Independent Gravity Zone:** Allows for higher throughput capacity while achieving high cake solids
- 3 Curved Wedge:** Applies increasing pressure to cake with excellent cake retention to improve filtrate.
- 4 Vertical Pressure Rolls:** Vertical arrangement allows for filtrate pans under each roll to keep filtrate from falling on adjacent rolls. This eliminates reabsorption of filtrate and improves discharge cake solids. Discharge height adequate for conveyor without raising press.
- 5 Perforated Roll:** Unique design and stainless steel construction improves dewatering and structural strength of roll.
- 6 Tubular Frame Construction:** Available as hot dipped galvanized, 304, 316 or duplex stainless steel. Tubular steel design for added frame rigidity, easy clean up and reduced O&M activity.
- 7 Machined bearing pads** for precision frame and roller alignment.
- 8 Overall Layout:** Gravity zone and controls located at operator level simplifies process optimization and eliminates costly platforms.



# The unique design of the Gravity and Pressure Zones allows for optional configurations.



## Odor Control

- Odor Hoods trap odor and vents pull odor away
- Clear lexan windows
- Mounted directly on frame
- Can be mounted on pressure section to contain misting

## Fully Enclosed GBT

- 304 or 316 Stainless Steel Plate Frame
- Fully enclosed for odor control and reduced cleanup
- Belt drive, bearings, and other components are mounted outside the enclosure for ease of maintenance
- Available with automatic plow lifts and polymer adjustments
- Self-cleaning



## Dual Mode

- Thickening and Dewatering Modes
- Diverter Gate directs sludge to the pressure section or to TWAS hopper
- Available with TWAS Conveyors, Hoppers, or Pumps





**BDP Contacts:**

**Sales:** 518-796-1440

**Factory:** 518-695-6851

**Email:** [info@bdpindustries.com](mailto:info@bdpindustries.com)

P.O. Box 118, 354 State Route 29  
Greenwich, NY 12834

© 2020 BDP Industries, Inc. This document is a general product presentation and is not a guarantee of any kind. All the information contained herein is subject to change without notice. Directions for use and safety will be given separately.



[www.bdpindustries.com](http://www.bdpindustries.com)